

A Comparative Study of Switching Strategies for Single Phase Matrix Converter

Mohammadamin Yusufji Khatri * and Hormaz Amroliya **

*Department of Electrical Engineering, Institute of Technology, Nirma University, Ahmedabad, India
aminykhatri@hotmail.com

** Department of Electrical Engineering, Institute of Technology, Nirma University, Ahmedabad, India
hormaz.amroliya@nirmauni.ac.in

Abstract: AC-AC power conversion particularly for speed control of AC drives is done with single phase cyclo-converters. In this work the single-phase matrix converter (SPMC) topology is used as a cyclo-converter. IGBT are used as power switches. The sinusoidal pulse width modulation has been used for generation of pulses. This paper presents three different switching strategies for SPMC. A comparison is made between these three strategies based on parameters such as type of load to which the strategy is restricted, number of switches kept ON during single time interval, output voltage waveform of SPMC and its THD.

Keywords: Sinusoidal Pulse Width Modulation (SPWM), Insulated Gate Bipolar Transistor (IGBT), Single Phase Matrix Converter (SPMC), Pulse Width Modulation (PWM), Complementary of PWM (cPWM).

Introduction

AC-AC conversion consist of converting fixed ac voltage with fixed frequency to variable ac voltage with variable frequency, which can be done by two methods: 1) Indirect method and 2) direct method. Indirect method is the most common approach for the ac-ac power conversion which consist of a rectifier at supply side and inverter at the load side. Such an arrangement would require energy storage element like capacitor or an inductor in the intermediate dc link. These element make the converter bulky and useless in application requiring regenerative operation. These limitation can be overcome by the direct method for ac-ac conversion without any intermediate dc link [1]. Such an operation is performed by a cyclo-converter which converts the ac power at one frequency directly to another frequency. The most desirable features for any power frequency changer are: 1) Simple and compact power circuit 2) Generation of load voltage with arbitrary amplitude and frequency 3) Sinusoidal input and output currents 4) Operation with unity power factor for any load 5) Regeneration capability. These characteristics are not fulfilled by the conventional cyclo-converters, which leads to the use of matrix converter topology as it fulfills the ideal features. The matrix converter provides an “all silicon” solution for direct ac-ac conversion without any intermediate dc link thus eliminating the use of reactive energy storage elements. It consists of bidirectional switches which allows any output phase to be connected to any input phase. The topology was first proposed by Gyugyi. In recent years, matrix converter has gained a lot of attention for the traction application. The commutation between the switches in a matrix converter results in current spikes which are their major drawback [2]. Development of three phase matrix converter started with the work of Venturini and Alesina published in 1980 [4]. The SPMC was first developed by Zuckerberger [5]. Study of other SPMC topology had been carried out by Hossieni [6] and Abdollah Khoei [7] and Saiful [8]. Due to the absence of natural free-wheeling paths commutation issues need to be resolved in any PWM type of converter [9]. When inductive loads are used there may be switching spikes [10]. Switching arrangements for safe commutation is proposed by Zahiruddin. [11]. Amongst previous development of the cycloconverter includes; work on improvements of harmonic spectrum in the output voltage with new control strategies [12], new topology [13] and study of the cyclo-converter behaviour [14]. In this work, three different switching strategies are studied for obtaining AC-AC conversion from 50Hz to 150Hz. A computer simulation model on SPMC for cyclo-converter operation using MATLAB/Simulink (MLS) software package is developed. The simulation results for all three strategies have been portrayed and studied in this paper with all their advantages and limitation.

The single phase matrix converter as a cyclo-converter

The SPMC requires four bi-directional switches capable of blocking voltage and conducting current in both directions for its cyclo-converter operation. The basic circuit diagram is shown in Figure. 1. Currently due to the unavailability of any such discrete semiconductor device which could fulfil the needs, hence Common Emitter anti-parallel IGBT, diode pair is used as shown in Figure. 2. Diodes are used to provide reverse blocking capability to the switch module. IGBT's are used due to its

high switching capabilities and high current carrying capacities for high power applications

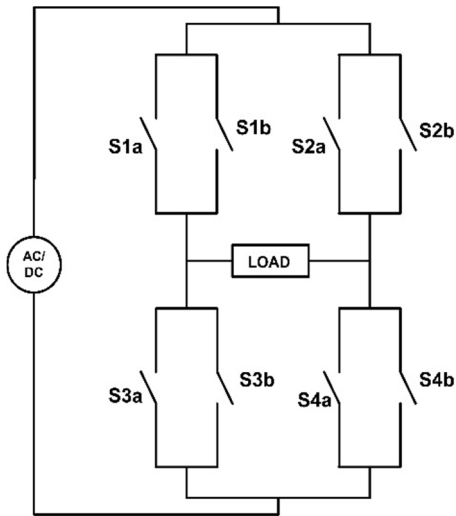


Figure 1: Basic circuit diagram of SPMC

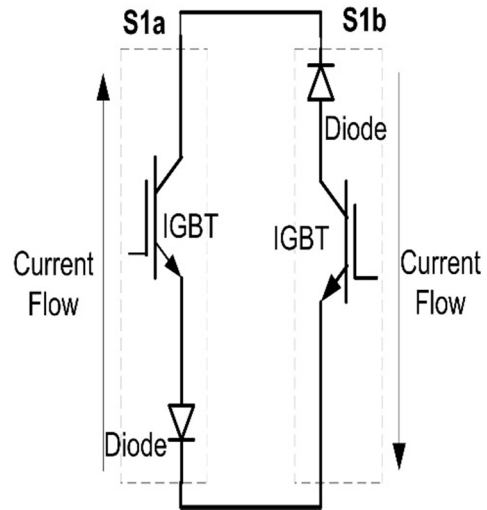


Figure 2: Bidirectional switch

Switching strategies for SPMC as cyclo-converter

Strategy I

In this strategy only two switches are kept on at a time. One of the two switch is provided with a PWM pulse and other switch is modulated with a continuous pulse. The switching sequence is shown in Table 1.

- At any time ‘t’ only two switches S1a and S4a will be kept ON and conduct the current flow during the positive cycle of input source (state 1). (Ref Figure 3)
- At any time ‘t’ only two switches S1b and S4b will be kept ON and conduct the current flow during the negative cycle of input source (state 2). (Ref Figure 4)
- At any time ‘t’ only two switches S2a and S3a will be kept ON and conduct the current flow during the positive cycle of input source (state 3). (Ref Figure 5)
- At any time ‘t’ only two switches S2b and S3b will be kept ON and conduct the current flow during the negative cycle of input source (state 4). (Ref Figure 6)

The switching signals according to Table 1 is shown in Figure 7. Due to the turn off characteristics of IGBT the practical realization of the switching sequence in the SPMC is not instantaneous and simultaneous. Here the tailing off of the collector current will create a short circuit with the next switch turn ON especially when the inductive loads are used, resulting in switching spikes [16]. This strategy leads to two damaging effects which would lead to undue stress and destruction of switches: 1) current spikes are generated in the short circuit paths 2) voltage spikes will be induced due to change in current across inductance of load.

Table 1: Switching sequence for strategy I

Input frequency	Target output frequency	Time Interval	State	Switch modulated	PWM switch
50 Hz	150 Hz	1	1	S1a	S4a
		2	3	S2a	S3a
		3	1	S1a	S4a
		4	2	S1b	S4b
		5	4	S2b	S3b
		6	2	S1b	S4b

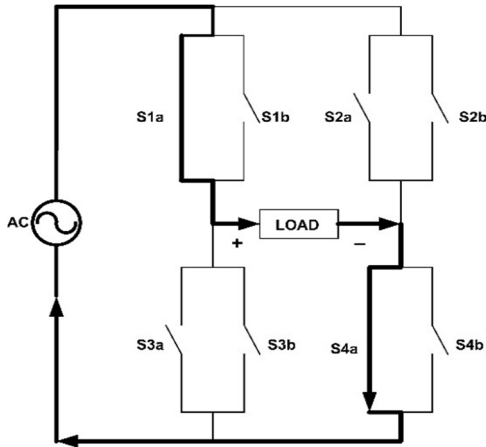


Figure 3: State 1 positive cycle

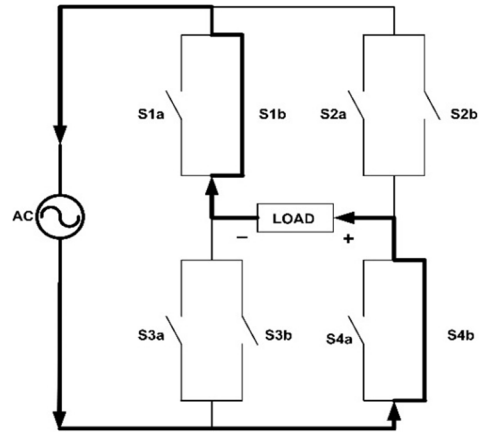


Figure 4: State 2 negative cycle

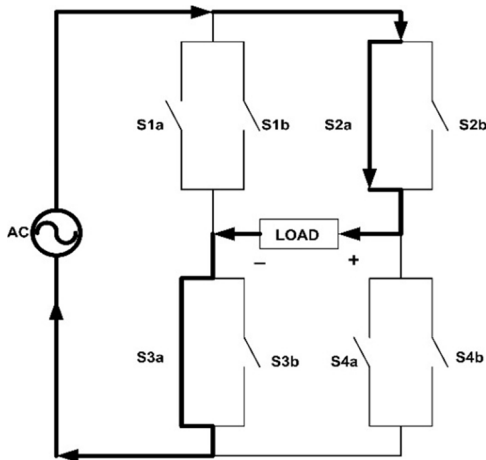


Figure 5: State 3 positive cycle

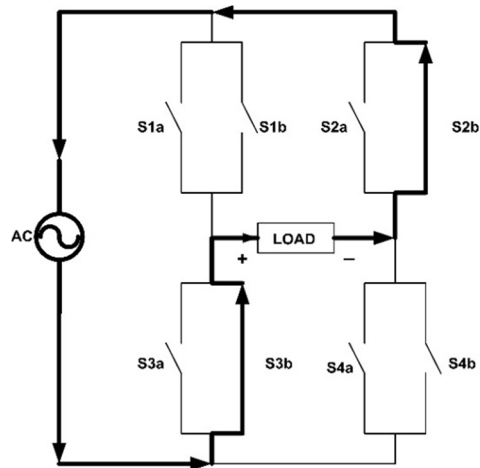


Figure 6: State 4 negative cycle

Both will subject the switches with undue stress leading to its destruction. Thus it cannot be used with RL load as it provides no path to discharge the energy across the inductor. Switching arrangements for safe-commutation as proposed by Zahirudin can be used to eliminate the generation of switching spikes [17]. Refer Figure 8 to Figure 15 for the output voltage, current and their THD. Strategy II overcomes this limitation.

Strategy II

In this strategy three switches are used for a single interval out of which one is a PWM pulse and other two are modulated with a continuous pulse. The switching sequence are shown in the Table 2. Refer Figure 24 to Figure 27 respectively to understand the different operating states shown below.

- At any time 't', two switches S1a and S4a (PWM) will be kept ON and conduct the current flow during the positive cycle of input source, with S2b turn 'ON' for commutation purpose (state 1).
- At any time 't', two switches S4b and S1b (PWM) will be kept ON and conduct the current flow during the negative cycle of input source, with S3a turn 'ON' for commutation purpose (state 2)
- At any time 't', two switches S2a and S3a (PWM) will be kept ON and conduct the current flow during the positive cycle of input source, with S1b turn 'ON' for commutation purpose (state 3)
- At any time 't', two switches S3b and S2b (PWM) will be kept ON and conduct the current flow during the negative cycle of input source, with S4a turn 'ON' for commutation purpose (state 4)

This scheme can be used with R as well as RL load and is thus better than previous one. The THD can be further improved with proposed switching strategy. Figure 16 shows the switching signals according to Table 2. Refer Figure 17 – Figure 20 for the output voltage, current waveforms and their THD.

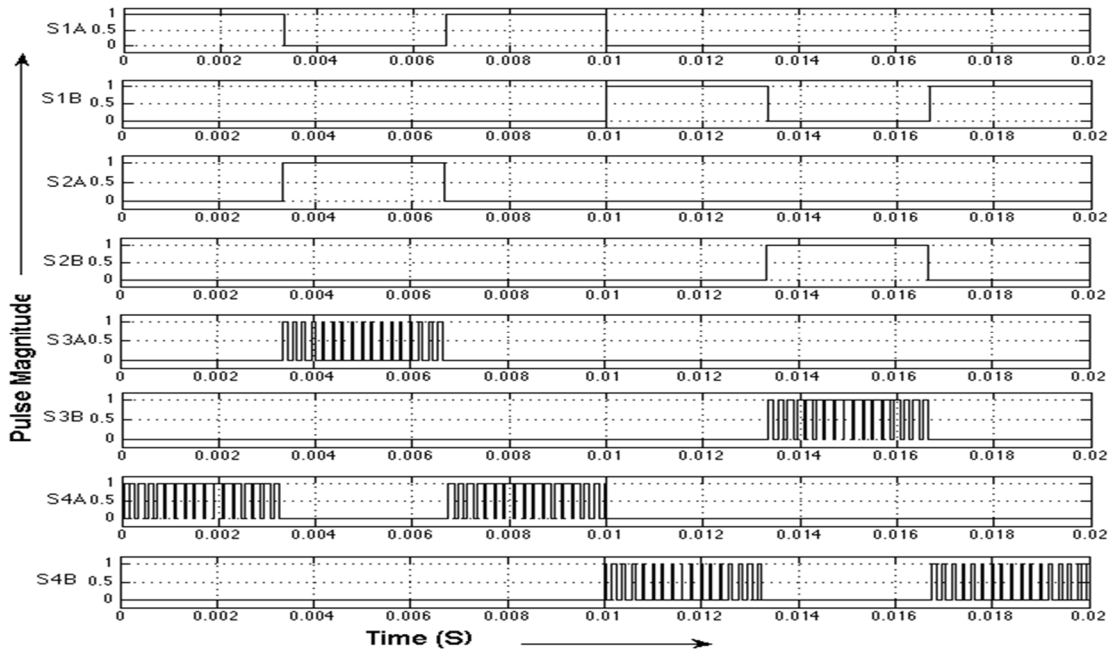


Figure 7: Switching signals for strategy I

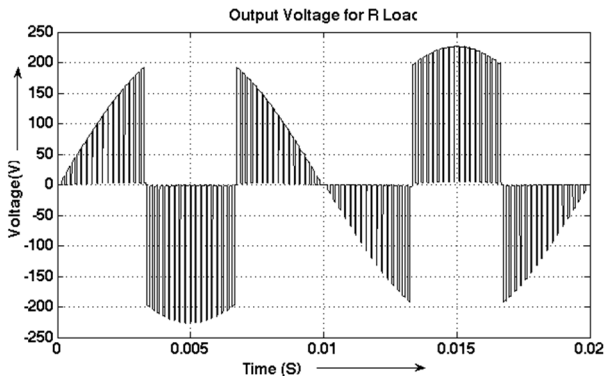


Figure 8: Output voltage for strategy I (R load)

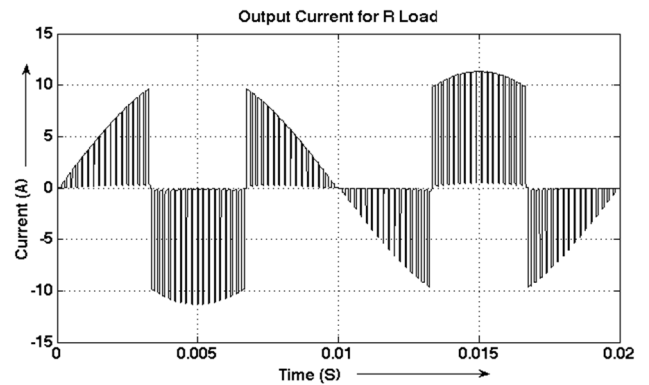


Figure 9: Output current for strategy I (R load)

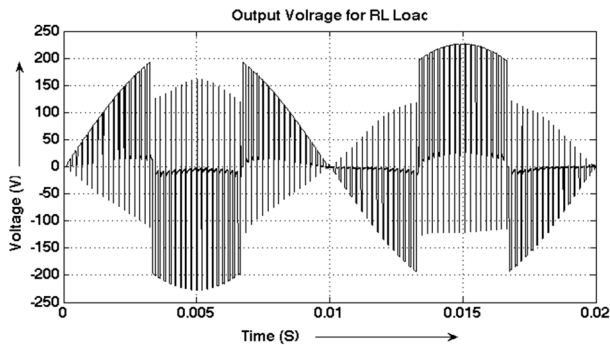


Figure 10: Output voltage for strategy I (RL load)

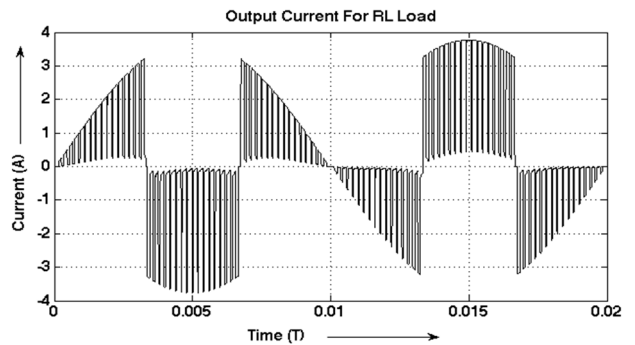


Figure 11: Output current for strategy I (RL load)

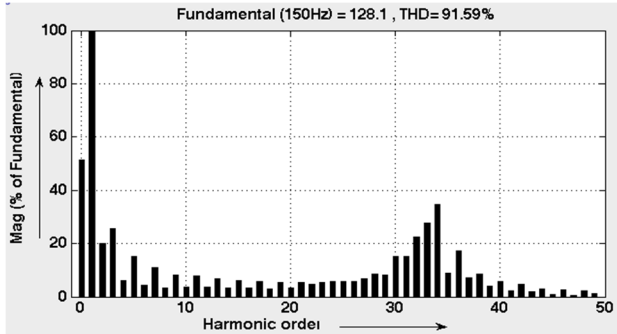


Figure 12: FFT analysis for output current with R load

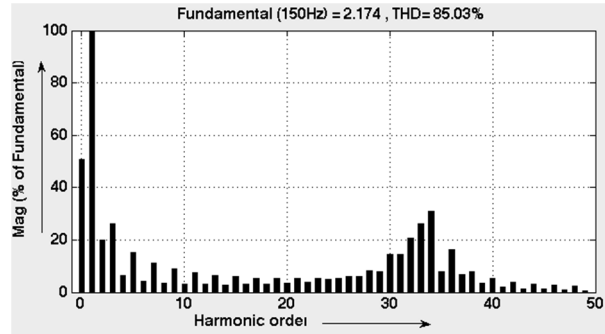


Figure 13: FFT analysis for output current with RL load

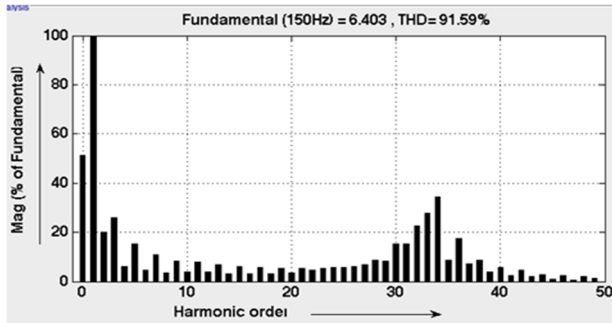


Figure 14 FFT analysis for output voltage with R load

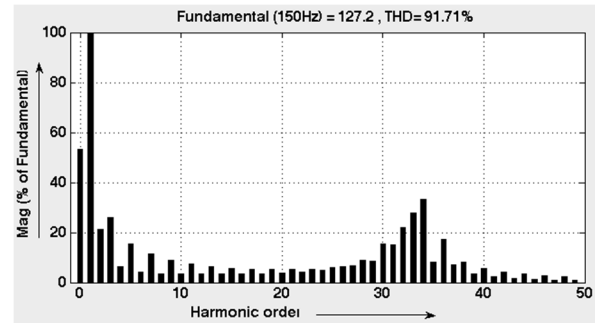


Figure 15 FFT analysis for output voltage with RL load

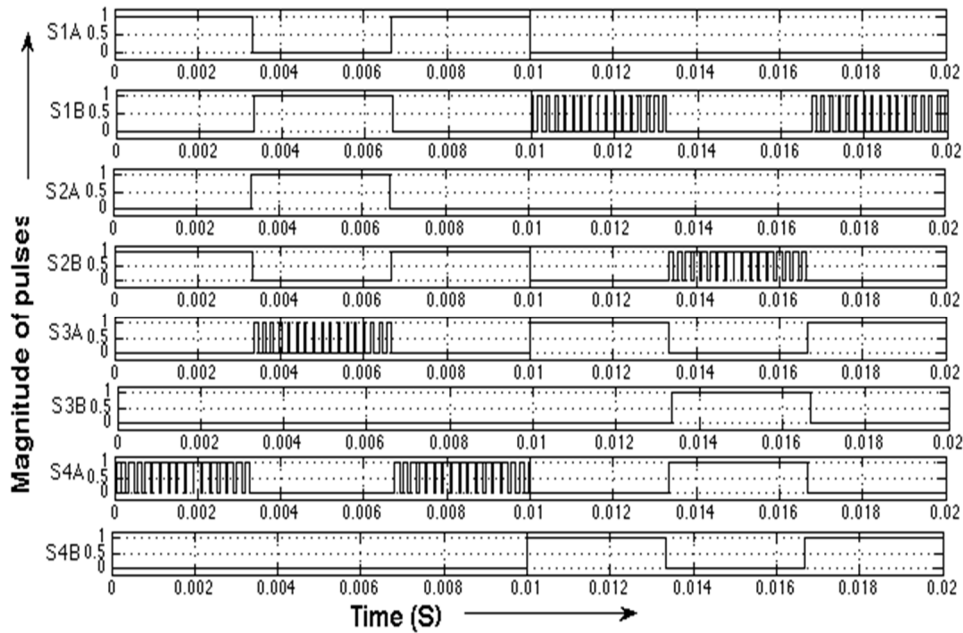


Figure 16 Switching signals for strategy II

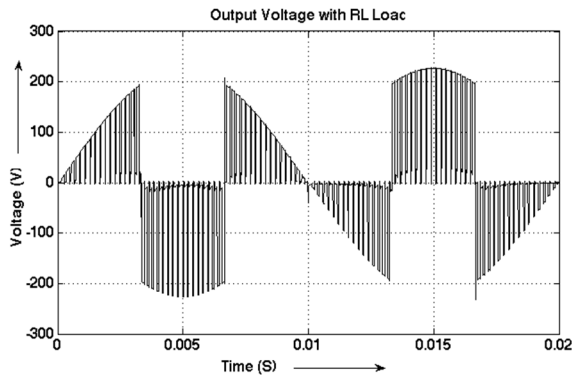


Figure 17 Output voltage for strategy II (RL load)

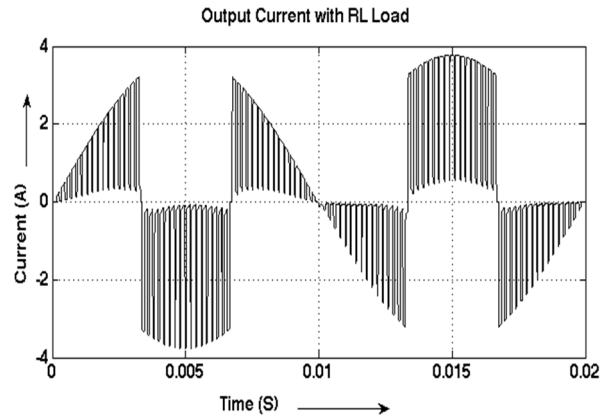


Figure 18 Output current for strategy II (RL load)

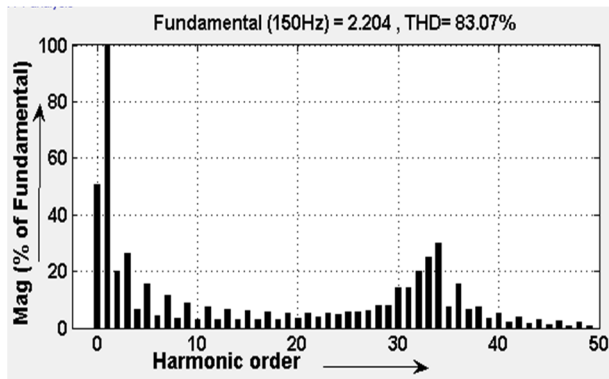


Figure 19 FFT analysis for output current with RL load

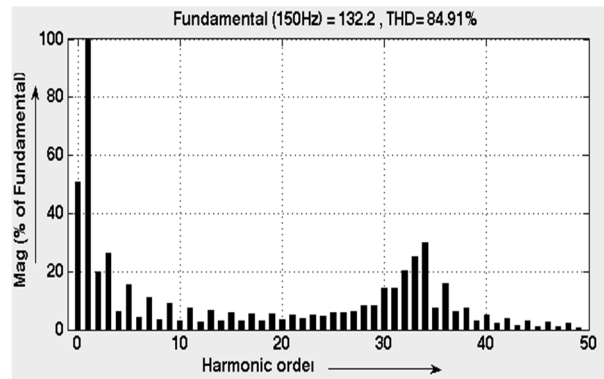


Figure 20 FFT analysis for output voltage with RL load

Strategy III - Proposed Strategy

In this strategy three switches will be used for a single time interval, out of which one switch will always be modulated with a continuous pulse and other two will be PWM switches. Thus one PWM signal is given to the switches used for free-wheeling (say PWM) and other PWM signal is given to the switch through which the load current would flow (say cPWM). These two PWM are generated such that one would be complementary of the other (only in that interval in which it is to be ON). Refer Figure 22, which clearly shows the three signals given to the switches of state 1. The two PWM signals in Figure 22 are zoomed in Figure 23, which shows that signal “cPWM” given to S2b is the complementary of signal “PWM” given to switch S4a, while S1a is modulated with a continuous pulse as shown in Figure 23. The switching sequence for proposed strategy is shown in Table 2.

- At any time ‘t’, two switches S1a and S4a (PWM) will be kept ON and conduct the current flow during the positive cycle of input source, with S2b (cPWM) turn ‘ON’ for commutation purpose (state 1). [ref fig 24]
- At any time ‘t’, two switches S4b and S1b (PWM) will be kept ON and conduct the current flow during the negative cycle of input source, with S3a (cPWM) turn ‘ON’ for commutation purpose (state 2). [ref fig 25]
- At any time ‘t’, two switches S2a and S3a (PWM) will be kept ON and conduct the current flow during the positive cycle of input source, with S1b (cPWM) turn ‘ON’ for commutation purpose (state 3). [ref fig 26]
- At any time ‘t’, two switches S3b and S2b (PWM) will be kept ON and conduct the current flow during the negative cycle of input source, with S4a (cPWM) turn ‘ON’ for commutation purpose (state 4). [ref fig 27]

As compared to strategy II we get an improved THD and also it can be used with both R load and RL load. Refer Figure 21 for the switching signals according to Table 2. The output voltage, current waveform and THD are shown in Figure 28 to Figure 31.

Table 2: Switching sequence for strategy II and proposed strategy

I/P Frequency	Target O/P Frequency	Time Interval	State	For Strategy II			For Strategy III (Proposed Strategy)		
				Switch modulated with continuous pulse		PWM Switch	Switch Modulated with continues pulse	PWM Switch	
					For Free Wheeling			PWM	cPWM
50 Hz	150 Hz	1	1	S1a	S2b	S4a	S1a	S4a	S2b
		2	3	S2a	S1b	S3a	S2a	S3a	S1b
		3	1	S1a	S2b	S4a	S1a	S4a	S2b
		4	2	S4b	S3a	S1b	S4b	S1b	S3a
		5	4	S3b	S4a	S2b	S3b	S2b	S4a
		6	2	S4b	S3a	S1b	S4b	S1b	S3a

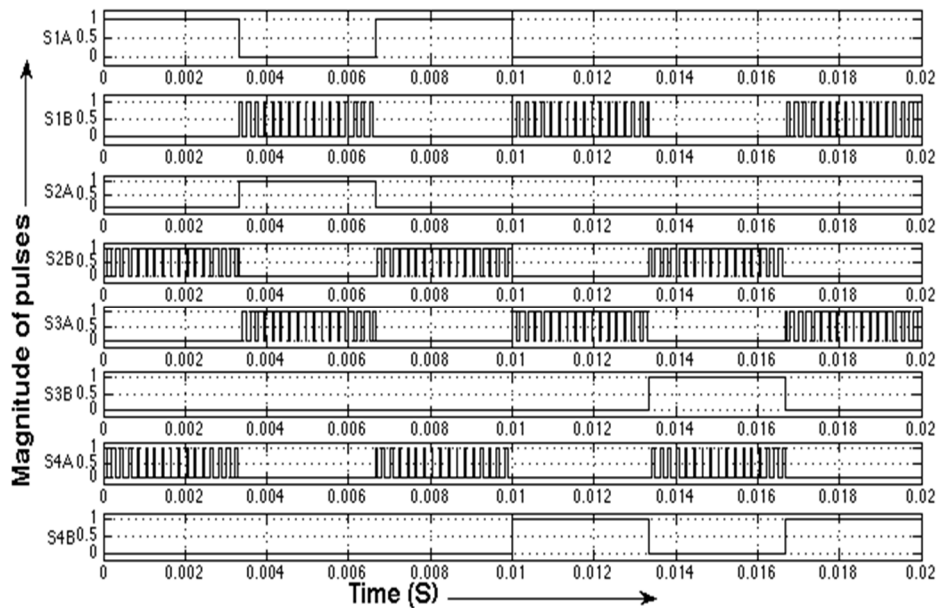


Figure 21: Switching signals for proposed strategy

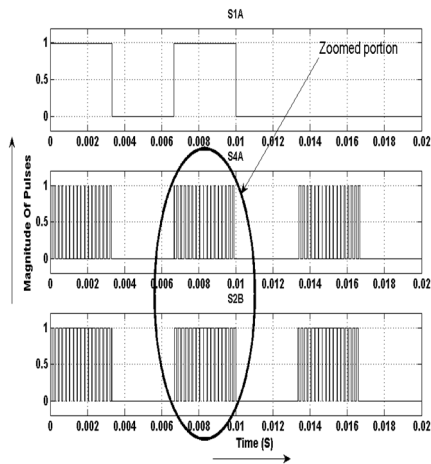


Figure 22 Switching signals for state 1 of proposed strategy

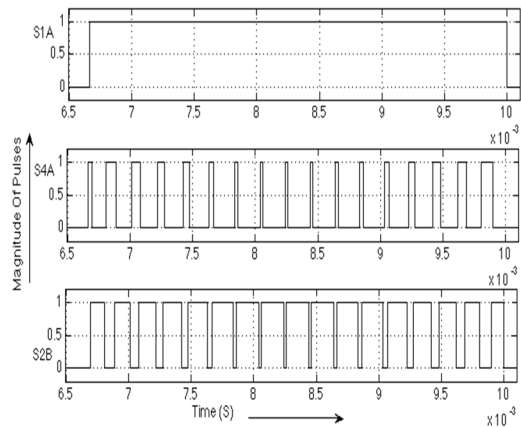


Figure 23 Zoomed view of Fig 22

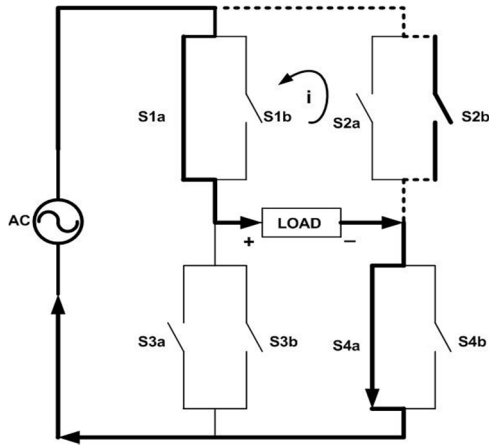


Figure 24 State 1 positive cycle

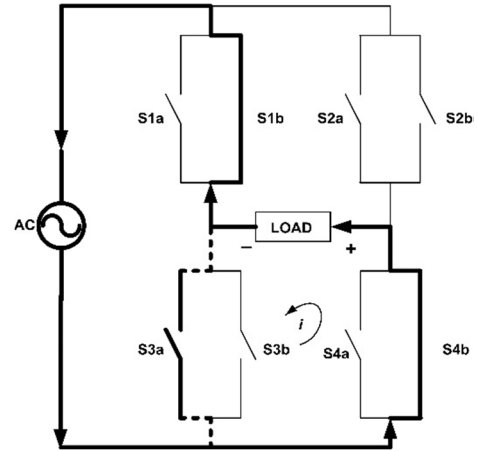


Figure 25 State 2 negative cycle

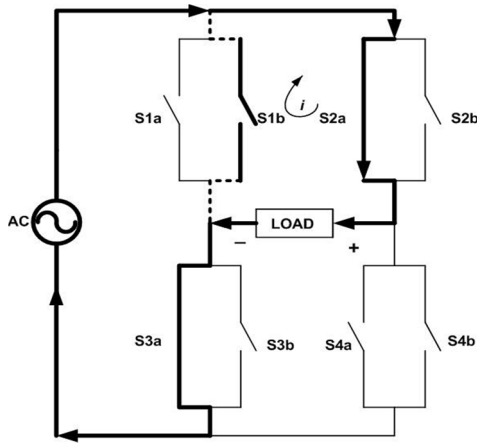


Figure 26 State 3 positive cycle

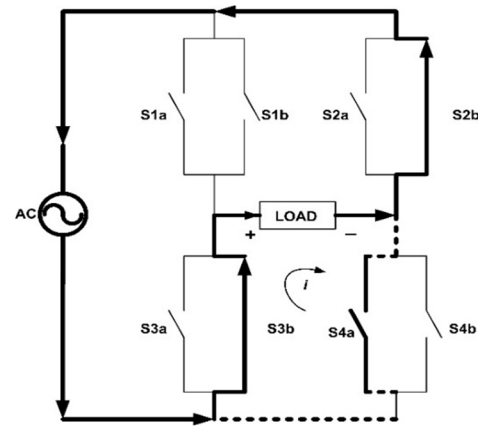


Figure 27 State 4 negative cycle

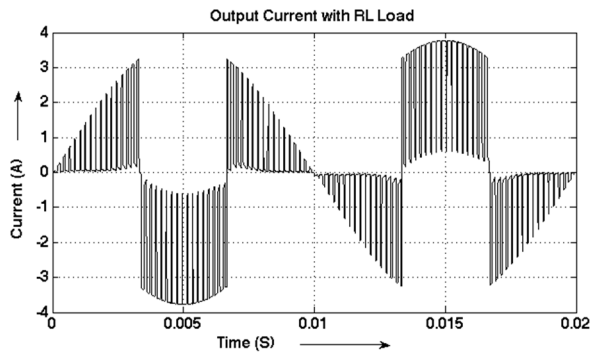


Figure 28 Output current for proposed strategy (RL load)

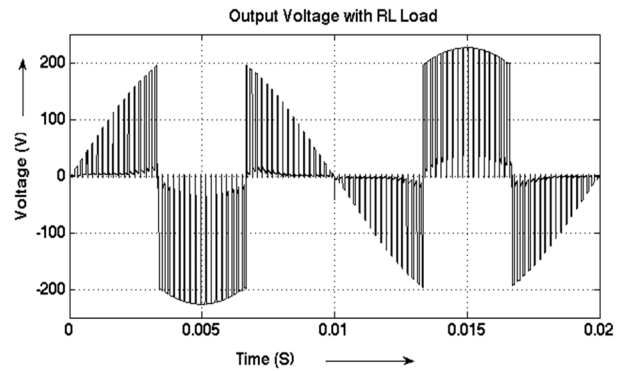


Figure 29 Output voltage proposed strategy (RL load)

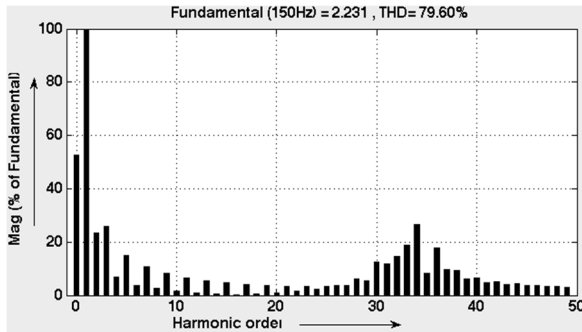


Figure 30 FFT analysis for output current

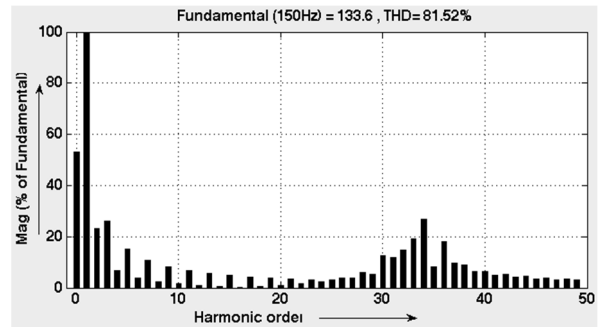


Figure 31 FFT analysis for output voltage

MATLAB Implementation

The matrix converter topology is developed in MATLAB/Simulink (MLS) software package as shown in Figure 32.

Table 3: THD results

Strategy	Current THD(%)	Voltage THD(%)
I (R Load)	91.59	91.59
I (RL Load)	85.05	91.71
II (RL Load)	83.08	84.91
III (RL Load) [Proposed Strategy]	79.60	81.52

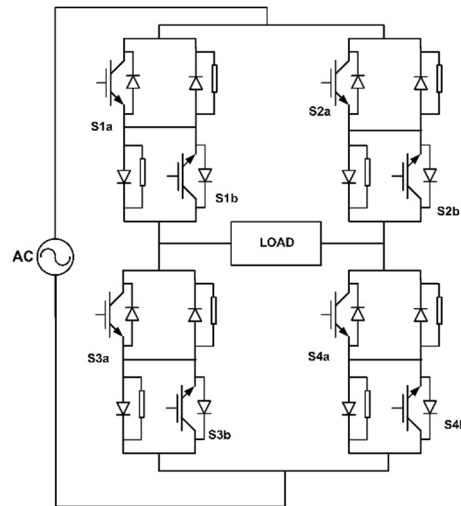


Figure 32 Simulation circuit diagram

The results in Table 3 shows that THD is improved with the proposed strategy. Moreover, it also provides us with a path for free-wheeling as three switches are kept ON for a single time interval.

Conclusion

Three different switching strategies have been presented in this paper. Comparison between all three strategies have been done and their advantages and limitations have been studied. The operational behavior is verified using MATLAB/Simulink with the SimPowerSystem Block Set. Results conclude that the strategy I can be used only for R load, strategy II can be used with R and RL load, proposed strategy (strategy III) provides better THD compared to strategy II.

References

- [1] Anand kumar, Dr. P.R. Thakura, "Hardware Development and Implementation of Single Phase Matrix Converter as a Cycloconverter and as an Inverter," Power Electronics (IICPE), IEEE 6th India International Conference, 2014.
- [2] V.V.Subrahmanya Kumar Bhajana, Pavel Drabek, Martin Jara, Bedrich Bednar, "A Novel ZCS Single Phase Matrix converter for Traction Applications," Power Electronics and Applications (EPE'14-ECCE Europe), 16th European Conference, 2014.
- [3] Zahiruddin Idris, Mustafar Kamal Hamzah, Ngah Ramzi Hamzah, "Modelling & Simulation of a new Single-phase to Single-phase Cycloconverter based on Single-phase Matrix Converter Topology with Sinusoidal Pulse Width Modulation Using MATLAB/Simulink", University Teknologi MARA, 40450 Shah Alam, Malaysia.
- [4] Venturini, M., and Alesina, A., "The Generalized transformer: a new bi-directional sinusoidal wave form frequency converter with continuously adjustable input power factor," IEEE Power Electron. Spec. Conf. Rec., 1980, pp. 242-252.
- [5] Zuckerberger, A., Weinstock, D., Alexandrovitz A., "Single-phase Matrix Converter," IEE Proc. Electric Power App, Vol.144 (4), Jul 1997 pp. 235-240.
- [6] Hosseini, S.H.; Babaei, E, "A new generalized direct matrix converter," IEEE International Symposium of Industrial Electronics, 2001. Proc. ISIE 2001. Vol (2), pp.1071-1076.
- [7] Abdollah Koei & Subbaraya Yuvarajan, "Single-Phase AC-AC Converter Using Power Mosfet's," IEEE Transaction on Industrial Electronics, Vol. 35, No.3, August 1988, pp.442-443.
- [8] Firdaus, S., Hamzah, M.K., "Modelling and simulation of a single-phase AC-AC matrix converter using SPWM," Proceedings on Student Conference on Research and Development, (SCoReD2002), 16-17 July 2002, pp.286-289.
- [9] Empringham, L., Wheeler, P.W., Clare, J.C., "Intelligent Commutation of Matrix Converter Bi-directional Switch Cells Using Novel Gate Drive Techniques," 29th Annual IEEE Power Electronics Specialists Conference, 1998. PESC 98 Record., Vol.1, 17-22 May 1998, pp.707- 713.
- [10] Kwon, B.-H., Min, B.-D., Kim, J.-H., "Novel Commutation Technique of AC-AC Converters," Electric Power Application, IEE Proceedings-, Vol. 145 (4), July 1998, pp. 295-300.
- [11] Zahiruddin Idris, Siti Zaliha Mohammad Noor & Mustafar Kamal Hamzah, "Safe Commutation Strategy in Single-phase Matrix Converter", IEEE Sixth International Conference PEDS 2005, Kuala Lumpur, Malaysia.
- [12] Karamat, A., Thomson, T., Mehta, P., "A novel strategy for control of cycloconverters," 22nd Annual EEEE Power Electronics Specialists Conference, 1991. PESC '91, Record. 24-27 June 1991, pp. 819 - 824.
- [13] Choudhury, M.A., Uddin, M.B., Bhuyia, A.R., Rahman, M.A., "New topology and analysis of a single phase delta modulated cycloconverter," Proceedings of the 1996 International Conference on Power Electronics, Drives and Energy Systems for Industrial Growth, 8-11 Jan. 1996, Vol. 2, pp.819-825
- [14] Hill, W.A., Ho, E.Y.Y., Nuezil, L.J. "Dynamic behavior of cyclo-converter system," IEEE Transactions on Industry Applications, Vol. 27(4), July-Aug. 1991, pp.750-755
- [15] K.V.S Bharath, Ankit Bhardwaj, "Implementing Single Phase Cyclo-Converter Using Single Phase Matrix Converter Topology with Sinusoidal Pulse Width Modulation," International Journal for Technological Research in Engineering Volume 2, Issue 6, February-2015.
- [16] Wheeler, P.W., Rodriguez, J., Clare, J.C., Empringham, L., Weinstein, A., "Matrix converters: a technology review," Industrial Electronics, IEEE Transactions on, Volume: 49, Issue: 2, April 2002 Pages: 276 – 288
- [17] Wheeler, P.W., Clare, J.C., Empringham, L., Bland, M., Kerris, K.G., "Matrix converters," Industry Applications Magazine, IEEE, Volume: 10, Issue: 1, Jan-Feb2004 Pages: 59 – 65.
- [18] Cho, J.G., and Cho, G.H, "Soft-switched Matrix Converter for High Frequency direct AC-to-AC Power Conversion," Int. J. Electron., 1992, 72, (4), pp. 669-680.
- [19] Idris, Z.; Hamzah, M.K.; Saidon, M.F., "Implementation of Single-Phase Matrix Converter as a Direct AC-AC Converter with Commutation Strategies," 37th IEEE Power Electronics Specialists Conference, 2006. PESC '06, Page(s):1-7.
- [20] H.M.Hanafi, N.R. Hamzah, A.Saparon and M.K.Hamzah, "Improved Switching Strategy of Single-Phase Matrix Converter as a Direct AC-AC Converter", University Teknologi MARA, 40450 Shah Alam, Malaysia.